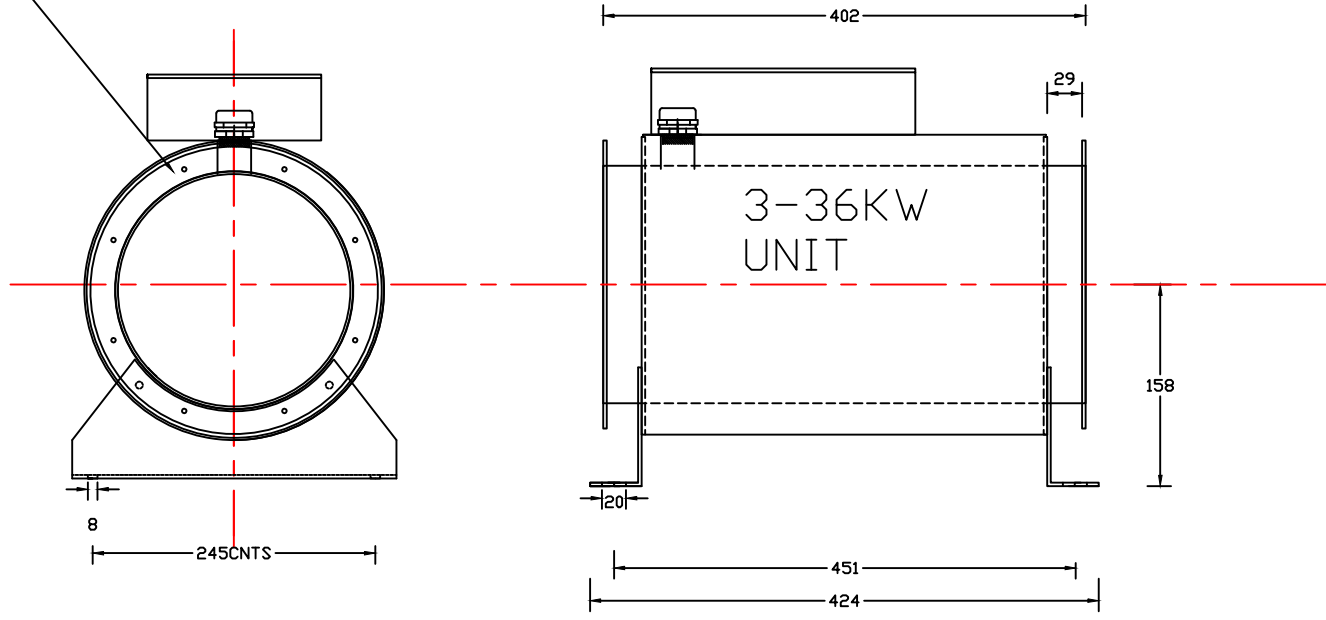


8 HOLES Ø7 EQUI-SPACED ON A PCØ 218



AIRTEC AIRSYSTEMS LTD

PROJECT
TYPE P HEATER TUBE 3-36KW CERAMIC ELEMENT

DATE
31-03-2015

ISSUE	A								
DRG NO.	ATHT-P	3-36							