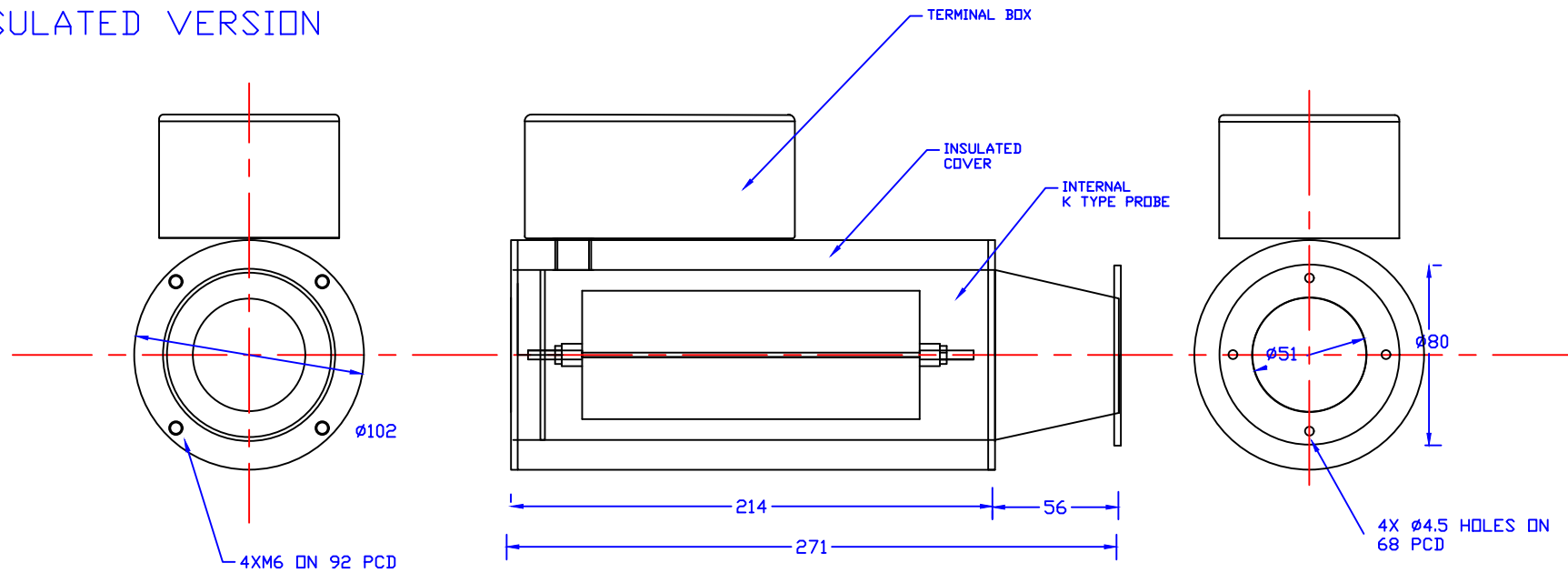


INSULATED VERSION



AIRTEC AIR SYSTEMS LTD

PROJECT
TYPE B1 HEATER
TUBE WITH BOX +
INSULATED VERSION

DETAIL
GA

DRAWN

DATE
20-04-2015

ISSUE
DATE

A							
---	--	--	--	--	--	--	--

SCALE

MACHINE
WELD ✓

DRG
NO.

ATHT-B1 002