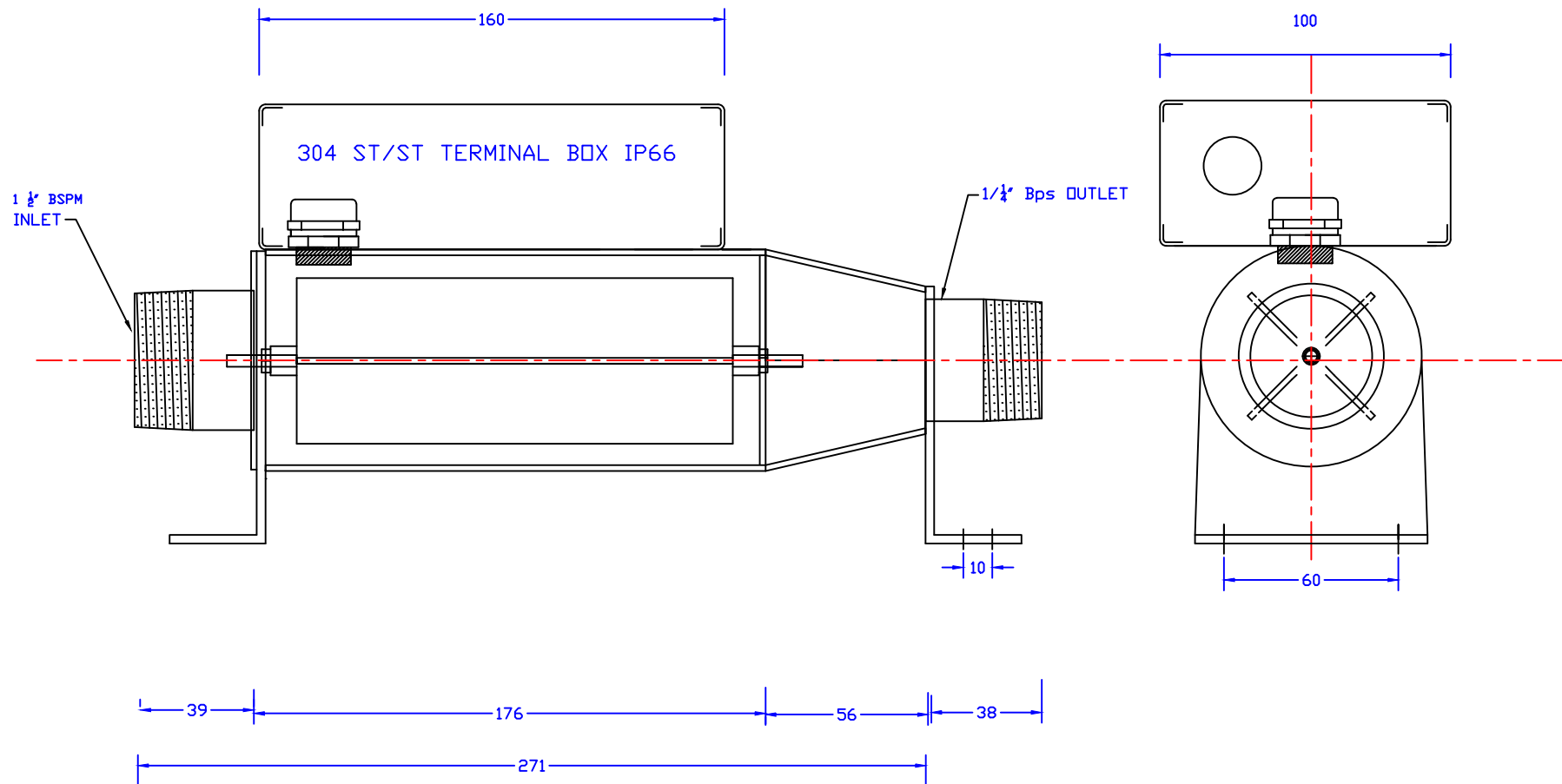


# TYPE B3 HEATER TUBE

# AIR TEC

AIR SYSTEMS



AIRTEC AIR  
SYSTEMS LTD

PROJECT  
TYPE B3 HEATER  
TUBE

DETAIL  
GA FOOTED  
REVISION

DRAWN

DATE

ISSUE  
DATE

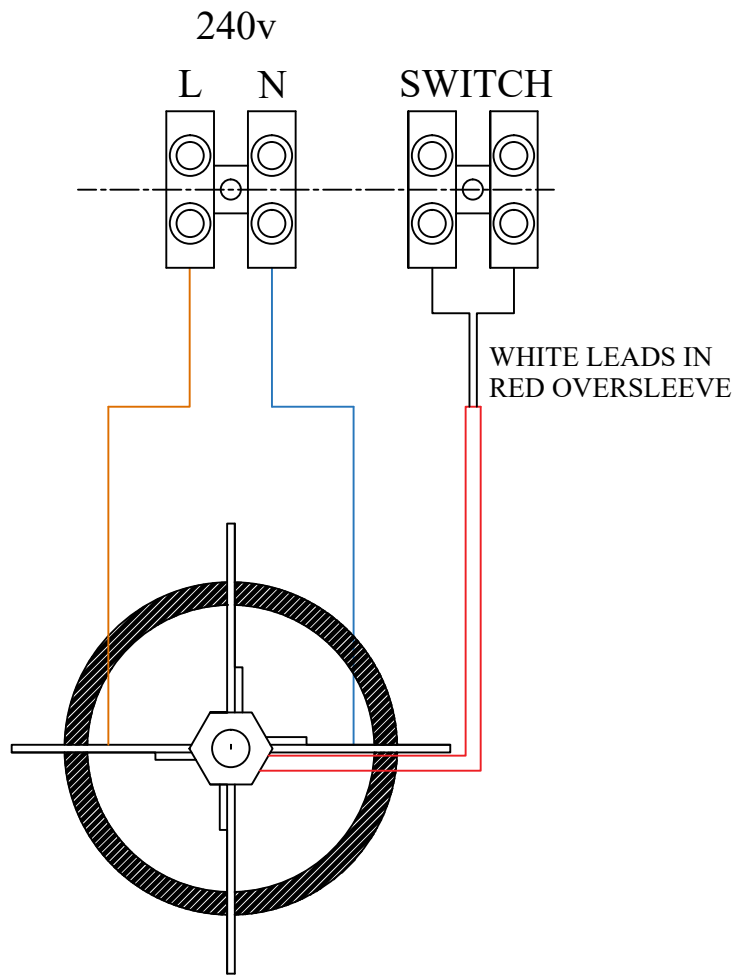
SCALE

MACHINE  
WELD

DRG  
NO.

ATHT-B3 001

# HEA1088 WIRING DIAGRAM



REV	REVISION	DATE

METRIC TOLERANCES UNLESS SPECIFIED  
 2 PLACES OF DECIMALS ± 0.05  
 1 PLACE OF DECIMALS ± 0.10  
 1-299 ± 0.25  
 300 & OVER ± 0.50  
 THREADS TO BE BS 3643 (MEDIUM FIT)

Drawn	S.T.
Checked	
Date	18/06/2019
Scale	A4 - 1:1

Airtec Air Systems  
 Unit 3A Glover Centre  
 Egmont Street - Mossley - OL5 9PY  
 01457 832 724  
 info@airtecairsystems.ltd.uk

DRAWING No.	REV
HEA1088	
SHEET 3 OF 3	