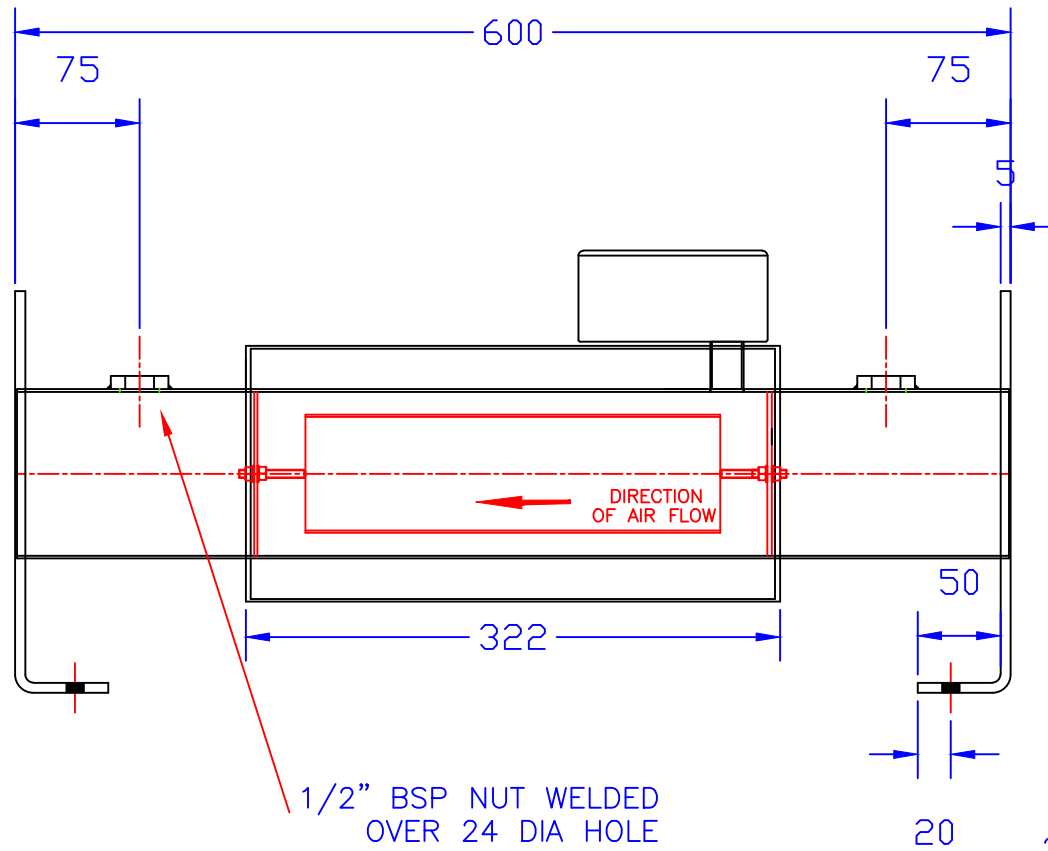
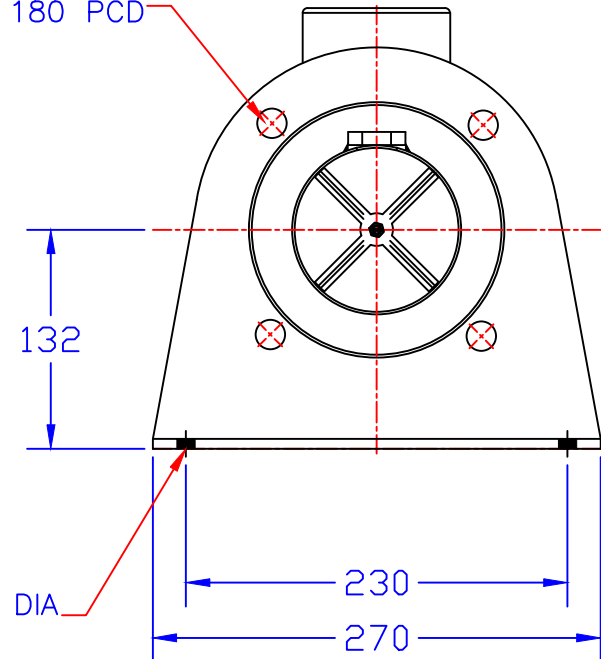


AIR OUTLET

AIR INLET



4No HOLES 18 DIA ON 180 PCD



AIRTEC AIR  
SYSTEMS LTD

PROJECT  
H TYPE HEATER  
TUBES

DETAIL  
HTR-H3-  
3-12KW

COPYRIGHT  
THIS DESIGN REMAINS THE PROPERTY  
OF AIRTEC AIR SYSTEMS LTD  
IT MUST NOT BE COPIED LOANED OR  
REPRODUCED WITHOUT WRITTEN  
PERMISSION.

DRAWN  
S.REYNOLDS  
SCALE 1:1

DATE 08-03-2019  
MACHINE WELD

ISSUE DATE	A								
DRG NO.	HTR-H3-3-12-GA								