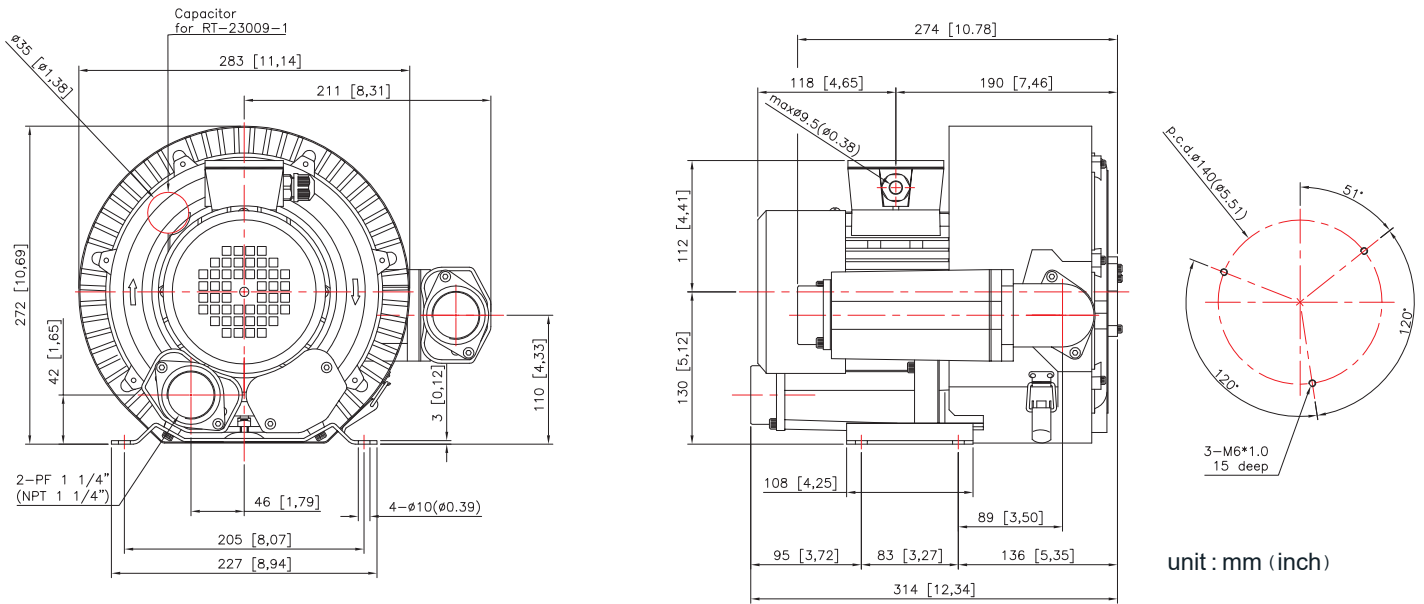


EXTERNAL DIMENSION DRAWING



Model No. 型號	RT-23009		RT-23009-1	
Phase	3		1	
Output (Kw)	50Hz	0.75	0.75	
	60Hz	0.85	0.85	
Voltage (V)	50Hz	208-255/360-440	110 / 220	
	60Hz	220-265/380-460	110 / 220	
Current (Amp)	50Hz	3.3 / 1.9	13 / 6.5	
	60Hz	3.6 / 2.1	14 / 7	
Vacuum (mbar)	50Hz	200	200	
	60Hz	245	245	
Pressure (mbar)	50Hz	240	240	
	60Hz	245	245	
Air Flow (m ³ /min)	50Hz	1.5	1.5	
	60Hz	1.8	1.8	