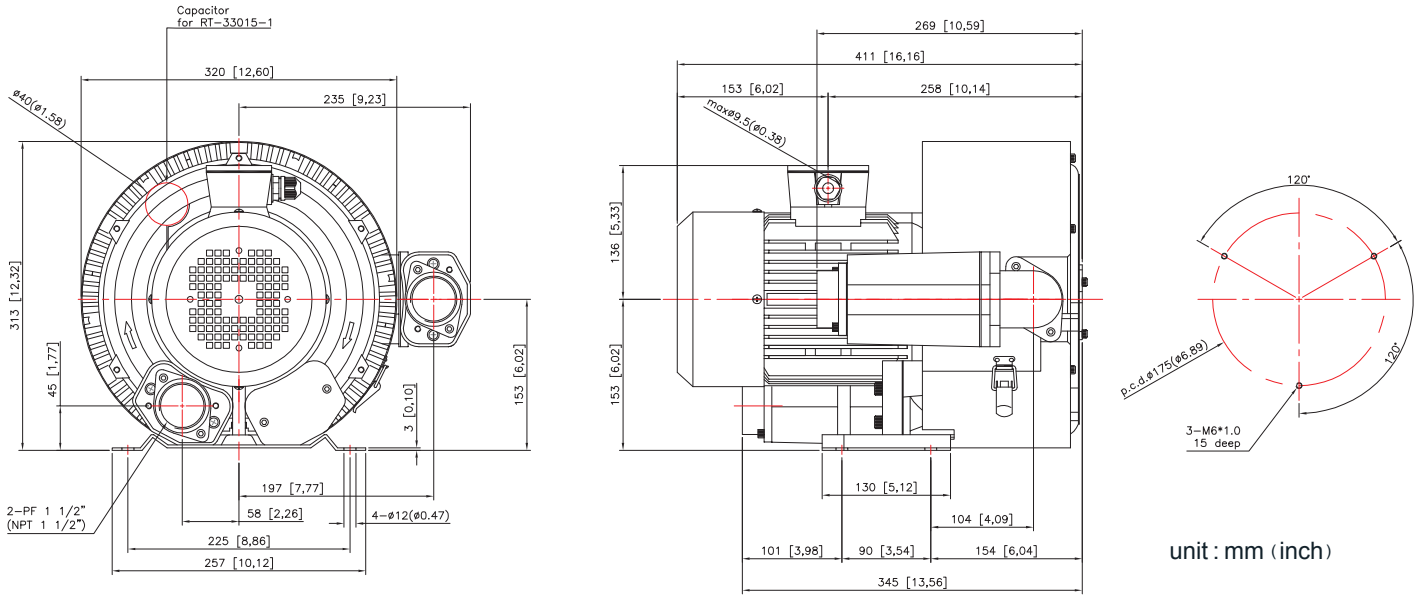


EXTERNAL DIMENSION DRAWING



Model No. 型號	RT-33019		RT-33026	
Phase	3		3	
Output (Kw)	50Hz	1.75	2.2	
	60Hz	1.9	2.6	
Voltage (V)	50Hz	208-255/360-440	110 / 220	
	60Hz	220-265/380-460	110 / 220	
Current (Amp)	50Hz	6.7 / 3.9	7.8 / 4.5	
	60Hz	7 / 4	9.5 / 5.5	
Vacuum (mbar)	50Hz	275	280	
	60Hz	300	350	
Pressure (mbar)	50Hz	320	375	
	60Hz	300	435	
Air Flow (m <sup>3</sup> /min)	50Hz	2.6	2.6	
	60Hz	3.0	3.0	

\*IE2 motor optional.