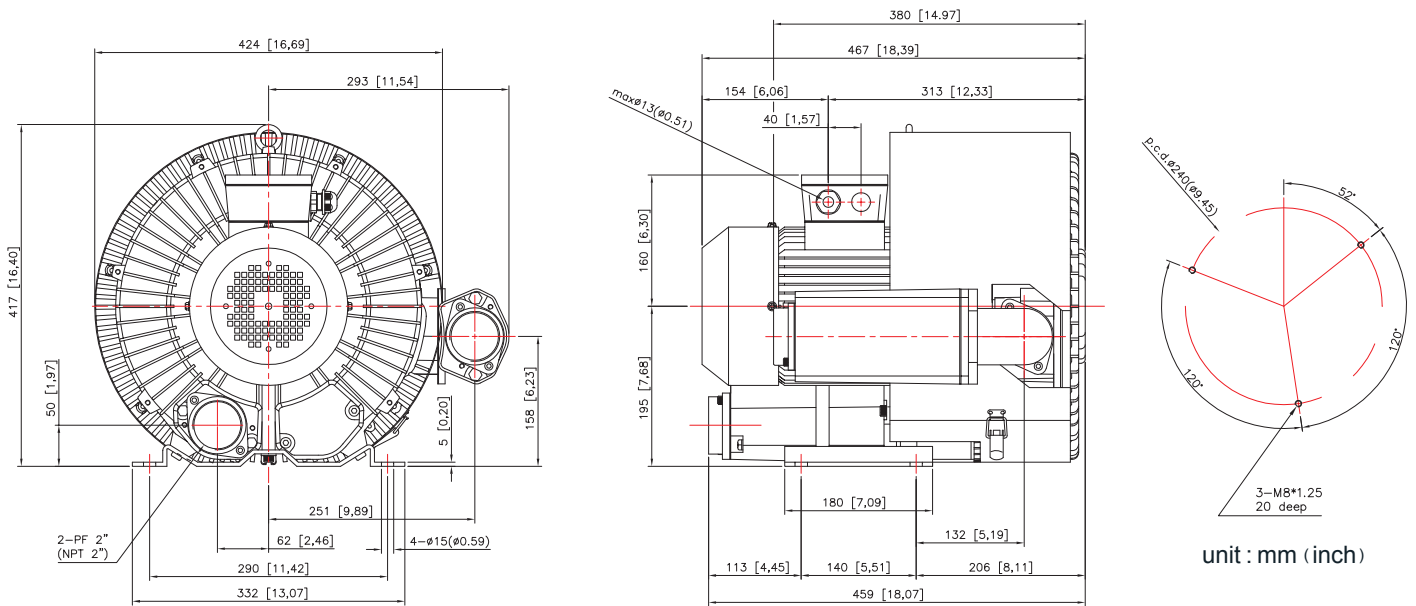


EXTERNAL DIMENSION DRAWING



Model No.		RT-63046	
Phase		3	
Output (Kw)	50Hz	4.0	
	60Hz	4.6	
Voltage (V)	50Hz	208-255/360-440	
	60Hz	220-265/380-460	
Current (Amp)	50Hz	14.3 / 8.2	
	60Hz	16.2 / 9.3	
Vacuum (mbar)	50Hz	360	
	60Hz	380	
Pressure (mbar)	50Hz	380	
	60Hz	380	
Air Flow (m ³ /min)	50Hz	5.2	
	60Hz	6.2	

*IE2 motor optional.