

RT-)) 00 `#F H!+) \$\$ PERFORMANCE DATA

AIR TEC

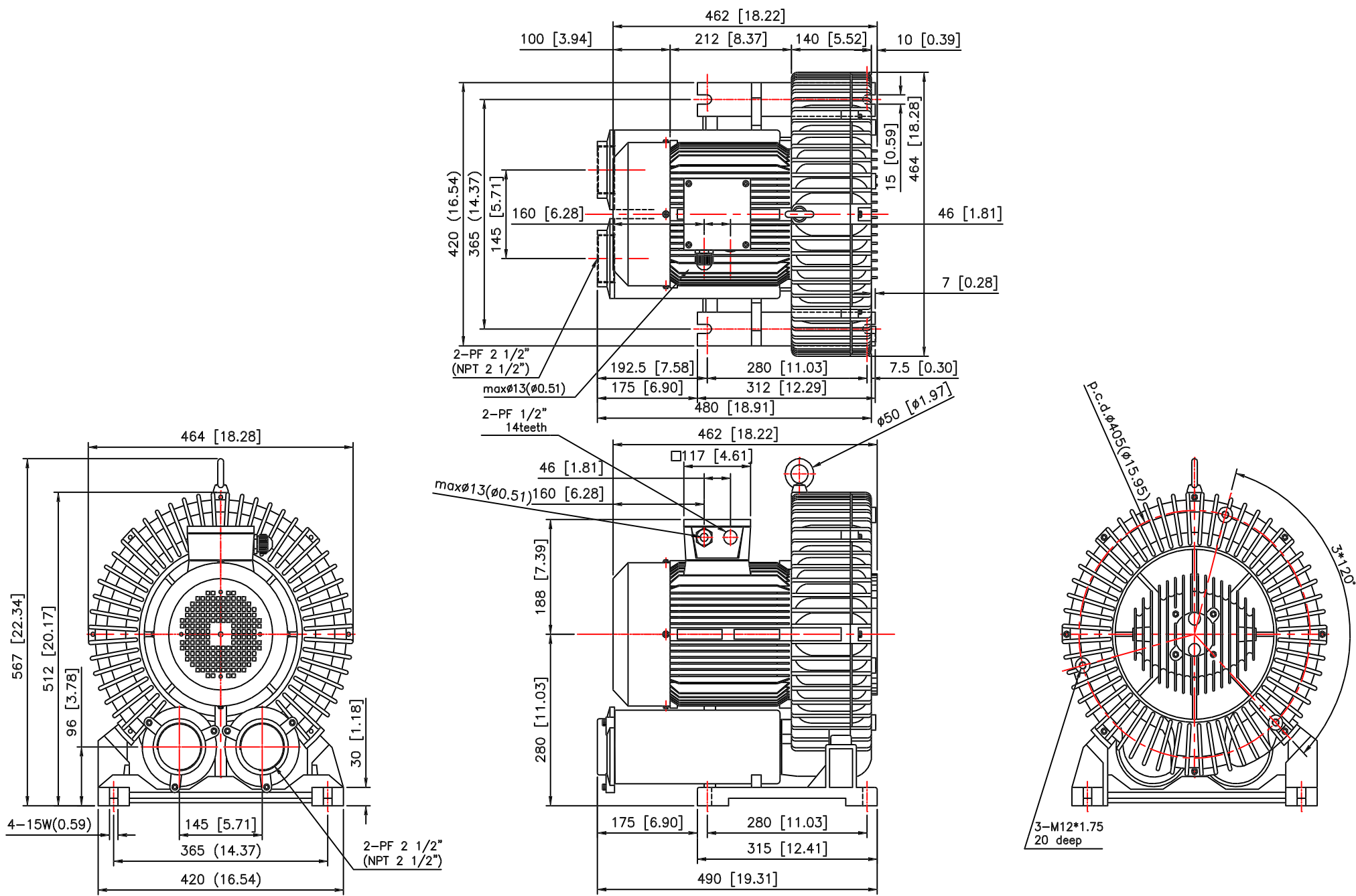
AIR SYSTEMS



Type	Number	RH!)) \$\$#	RH!+) \$\$#
Phase		3	3
Output	50Hz	5.5	7.5
	60Hz	6.3	8.6
Voltage	50Hz	220-240/380-415	220-240/380-415
	60Hz	220-240/380-415	220-240/380-415
Current	50Hz	21/12	27/15.6
	60Hz	26.5/15.3	34/19.6
Vacuum	50Hz	270	300
	60Hz	290	350
Pressure	50Hz	300	400
	60Hz	290	400
Air Flow	50Hz	9.2	9.2
	60Hz	10.9	10.9
Insulation Class		H	H

AIR TEC

AIR SYSTEMS



Drawing name : RT-5500 & RT-7500