

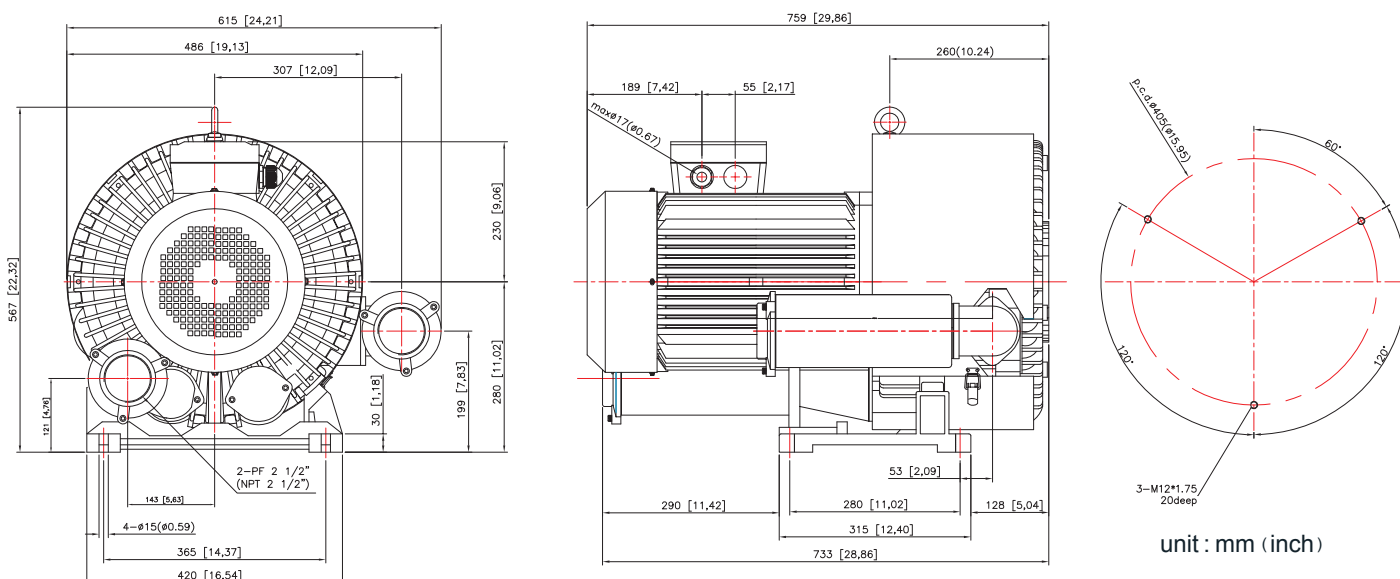
# TWO STAGE BLOWER

## RT-83130

## RT-83190



EXTERNAL DIMENSION DRAWING



Model No.	RT-83130		RT-83190	
<b>Phase</b>	3		3	
<b>Output</b> (Kw)	50Hz	11	16	
	60Hz	13	19	
<b>Voltage</b> (V)	50Hz	208-255/360-440	208-255/360-440	
	60Hz	220-265/380-460	220-265/380-460	
<b>Current</b> (Amp)	50Hz	46.8 / 27	65 / 37.5	
	60Hz	52 / 30	74 / 42.7	
<b>Vacuum</b> (mbar)	50Hz	430	450	
	60Hz	455	650	
<b>Pressure</b> (mbar)	50Hz	600	700	
	60Hz	600	780	
<b>Air Flow</b> (m <sup>3</sup> /min)	50Hz	9.6	9.6	
	60Hz	10.9	10.9	

\*IE2 motor optional.