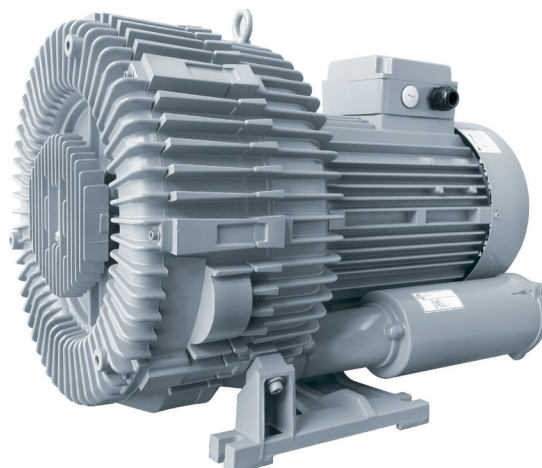
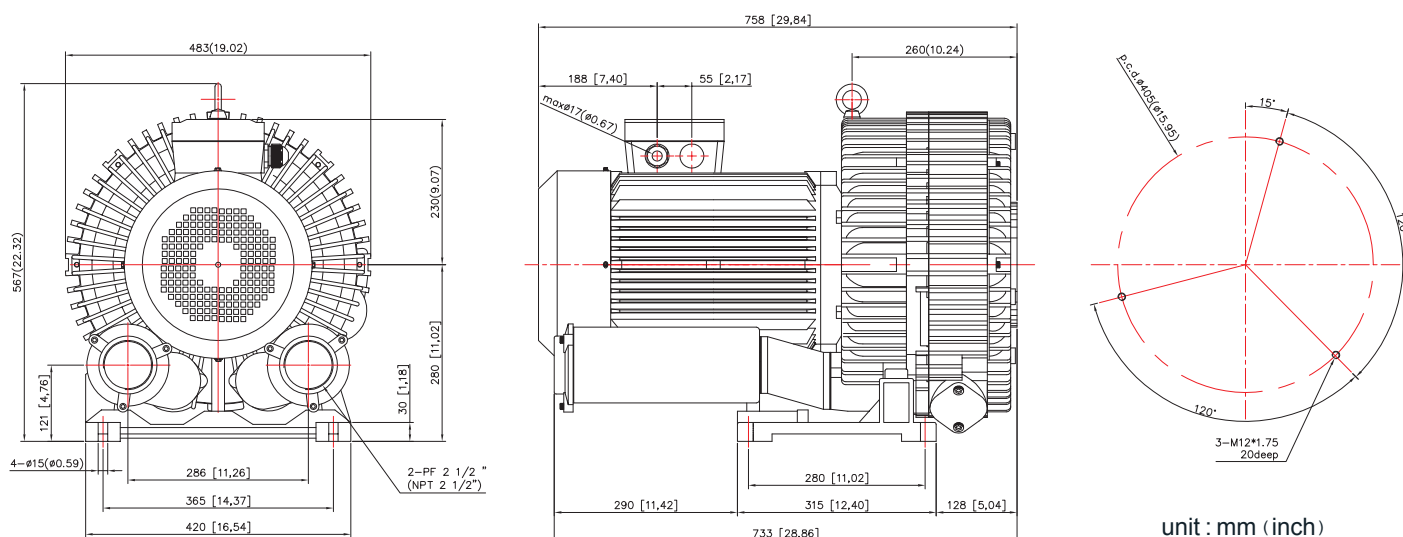


# TWO STAGE BLOWER

# RT-84130



EXTERNAL DIMENSION DRAWING



| Model No.                         |      | <b>RT-84130</b> |  |
|-----------------------------------|------|-----------------|--|
| Phase                             |      | <b>3</b>        |  |
| Output<br>(Kw)                    | 50Hz | 11              |  |
|                                   | 60Hz | 13              |  |
| Voltage<br>(V)                    | 50Hz | 208-255/360-440 |  |
|                                   | 60Hz | 220-265/380-460 |  |
| Current<br>(Amp)                  | 50Hz | 46.8 / 27       |  |
|                                   | 60Hz | 52 / 30         |  |
| Vacuum<br>(mbar)                  | 50Hz | 260             |  |
|                                   | 60Hz | 260             |  |
| Pressure<br>(mbar)                | 50Hz | 260             |  |
|                                   | 60Hz | 260             |  |
| Air Flow<br>(m <sup>3</sup> /min) | 50Hz | 14.2            |  |
|                                   | 60Hz | 16.5            |  |

\*IE2 motor optional.