

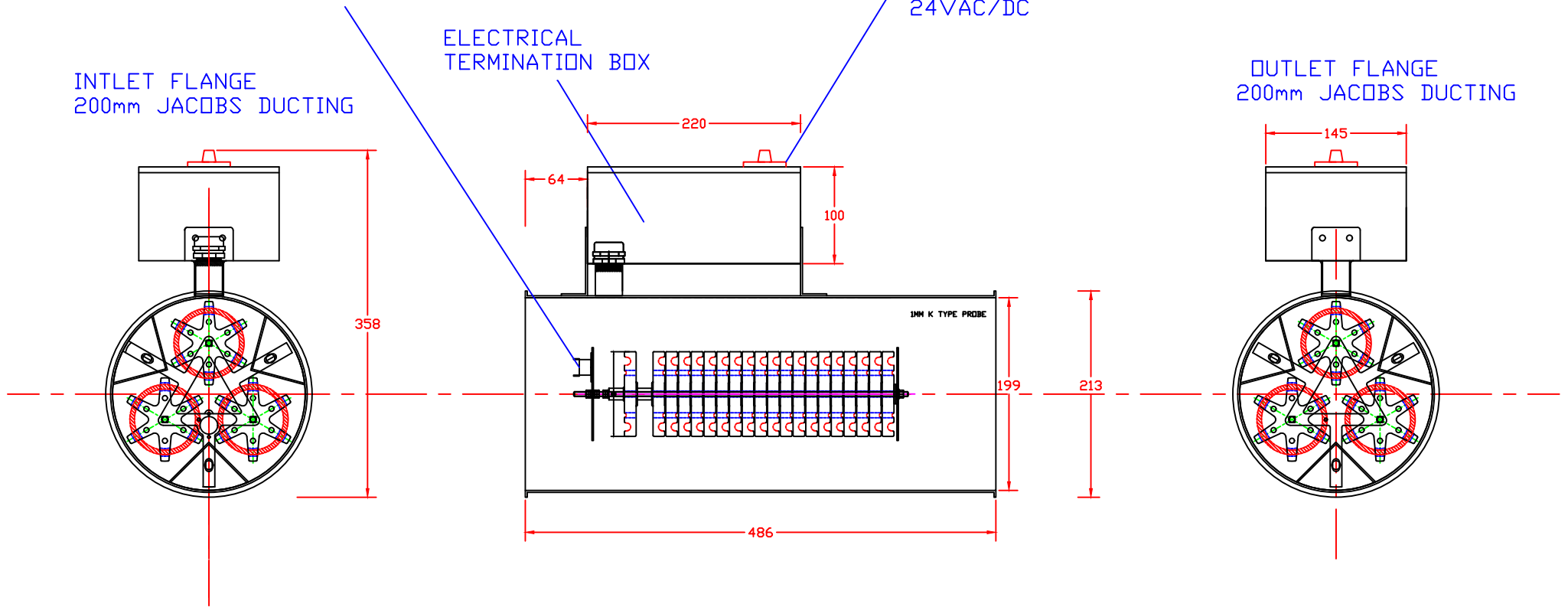
70 DEG C N/C OVER TEMP SWITCH  
 IF HEATERS ARE STACKED ONLY FIT TO FIRST HEATER  
 IN-LINE FROM FAN.  
 IF TRIPPED AFTER HEATING CYCLE HAS STOPPED, RUN FAN  
 AGAIN TO COOL HEATER.

OVER TEMP CONTROLLER  
 CONTROLLER 0-400 DEG C  
 24VAC/DC

ELECTRICAL  
 TERMINATION BOX

INTLET FLANGE  
 200mm JACOBS DUCTING

OUTLET FLANGE  
 200mm JACOBS DUCTING



JACOBS 12203030  
 Pipe D200 500L 2mm ST/ST