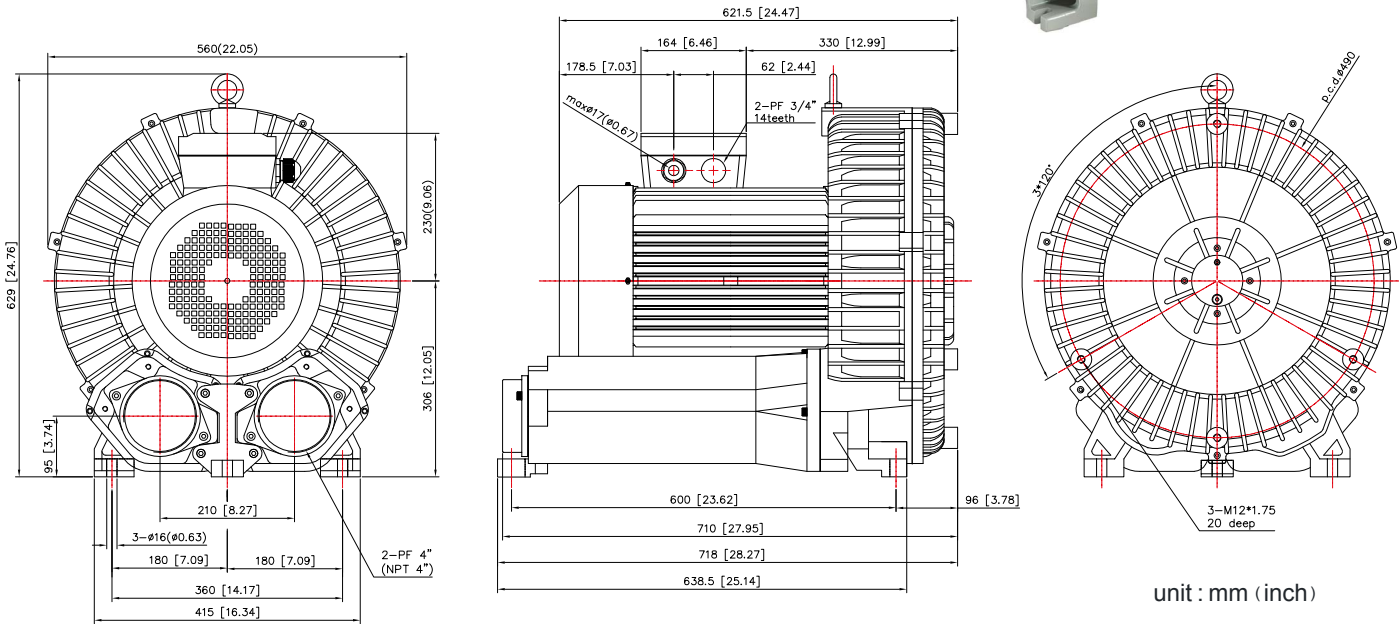


SINGLE STAGE BLOWER

RT-9



Model No.		RT-9110	RT-9150	RT-9220
Phase		3	3	3
Output (Kw)	50Hz	9	13	20
	60Hz	11	15	22
Voltage (V)	50Hz	230 / 400	230 / 400	230 / 400
	60Hz	240 / 415	240 / 415	240 / 415
Current (Amp)	50Hz	36 / 20.8	46.8 / 27	66.7 / 38.6
	60Hz	37 / 21.4	51.5 / 30	76 / 44
Vacuum (mbar)	50Hz	200	300	350
	60Hz	190	290	370
Pressure (mbar)	50Hz	200	300	450
	60Hz	190	290	430
Air Flow (m³/min)	50Hz	18.9	18.9	18.9
	60Hz	22.4	22.4	22.4

*IE2 motor optional.